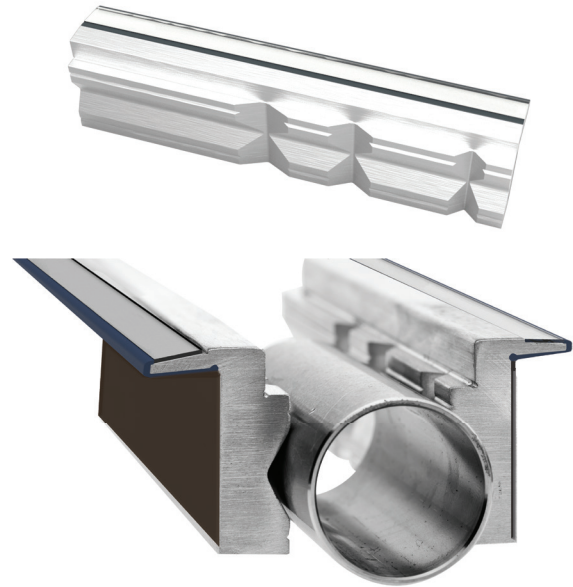


## MAGNETIC VICE JAWS

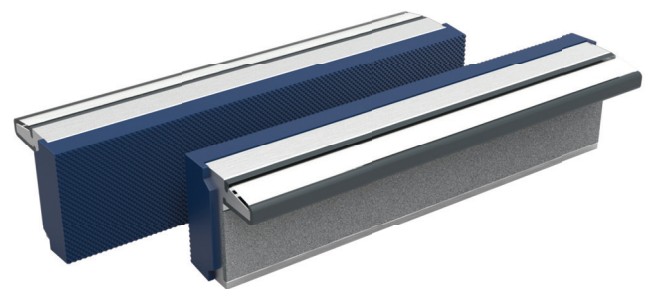
- Universal jaws for use with any vice with the corresponding jaw size.
- Equipped with an extremely powerful magnetic strip which easily attaches the jaw to the vice and ensures a rapid setup.
- The magnetic strip is only magnetic against the vice jaws and will not attract debris or fillings to the clamping surface nor magnetize the clamped parts.
- Features an extremely powerful neodymium magnetic strip. Holding force for a 100mm jaw is 3.5kg equivalent to 34N, for instance.
- These Magnetic Jaws can also be used in combination with one another. For instance, for taper pins or thin walled tubes use the Neutral or Prism / Vee Pipe together with the Rubber option. For irregularly profiled parts with one flat surface use the Fibre covered on the flat surface and the rubber covered on the profiled side.



## POLYURETHANE CROSS SERRATED

- Polyurethane with small cross serrations for a firm grip with a shore hardness of A82. "Bites onto" the work piece without damaging or scratching it and is so flexible, that it returns to its original shape after deformation.

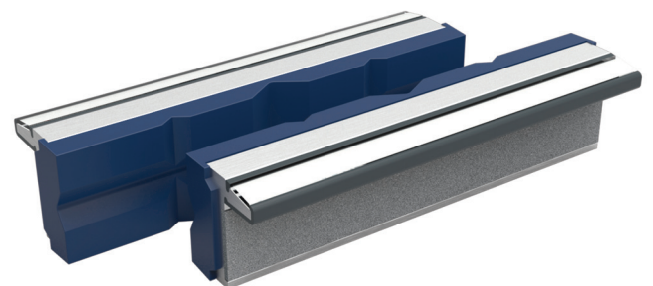
Part no.	Size	Compatible Vice
53341000	100mm	53320400
53341500	150mm	53320600



## POLYURETHANE GROOVED

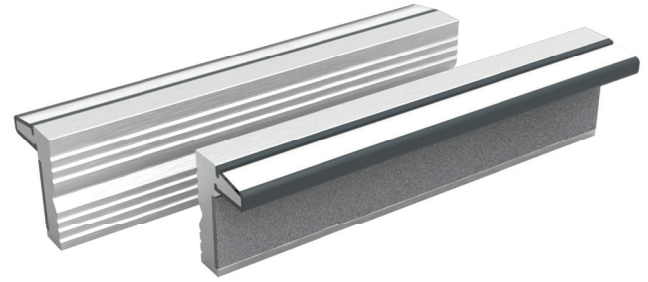
- Polyurethane with groves with a shore hardness of A82. "Bites onto" the work piece without damaging or scratching it and is so flexible, that it returns to its original shape after deformation.

Part no.	Size	Compatible Vice
53351000	100mm	53320400
53351500	150mm	53320600



## NEUTRAL

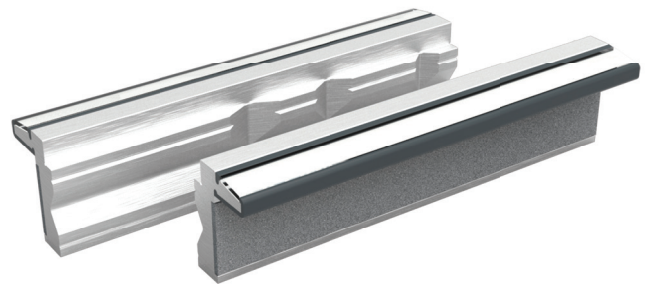
- Hardened aluminium alloy 6063, T66F25 with magnesium and silicon as alloying elements. Offers superior corrosion resistance along with excellent surface finish making the alloy the ideal material for securing your item firmly in the vice while still protecting the surfaces of your delicate objects.



Part no.	Size	Compatible Vice
53301000	100mm	53320400
53301500	150mm	53320600
53301800	200mm	53320800

## PRISM / VEE PIPE

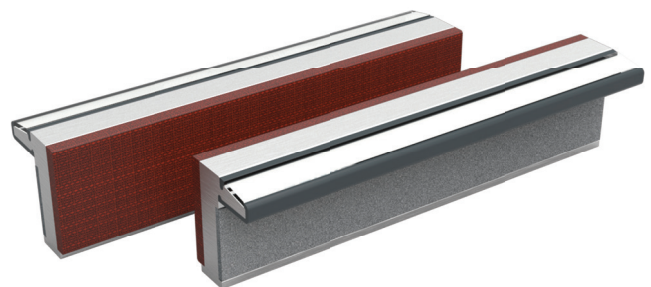
- Designed for multipurpose application, offering efficient clamping and protection of the workpiece at the same time. Designed for; horizontal clamping of flat objects, horizontal clamping of round objects and vertical clamping of round objects.
- For thread cutting it is recommended only to use one prism jaw to avoid destroying the jaw. The vee-groove will align the workpiece and the serrations of the opposite vice jaw will keep it from turning.



Part no.	Size	Compatible Vice
53331000	100mm	53320400
53331500	150mm	53320600
53331800	200mm	53320800

## FIBRE COVERED

- Hardened aluminium jaws with fiber cover for high finish machined workpieces.



Part no.	Size	Compatible Vice
53321000	100mm	53320400
53321500	150mm	53320600
53321800	200mm	53320800

## RUBBER COVERED

- For assembly and for irregularly shaped parts, thin walled tubes and delicate items etc.



Part no.	Size	Compatible Vice
53311000	100mm	53320400
53311500	150mm	53320600
53318000	200mm	53320800