



AIR COOLER/HEATER/AIR PURIFIER/ HUMIDIFIER

MODEL NO: **SAC41.V2**

Thank you for purchasing a Sealey product. Manufactured to a high standard, this product will, if used according to these instructions, and properly maintained, give you years of trouble free performance.

IMPORTANT: PLEASE READ THESE INSTRUCTIONS CAREFULLY. NOTE THE SAFE OPERATIONAL REQUIREMENTS, WARNINGS & CAUTIONS. USE THE PRODUCT CORRECTLY AND WITH CARE FOR THE PURPOSE FOR WHICH IT IS INTENDED. FAILURE TO DO SO MAY CAUSE DAMAGE AND/OR PERSONAL INJURY AND WILL INVALIDATE THE WARRANTY. KEEP THESE INSTRUCTIONS SAFE FOR FUTURE USE.



Refer to
instructions



Indoor Use Only

1. SAFETY

1.1. ELECTRICAL SAFETY

- ❑ **WARNING!** It is the user's responsibility to check the following:
Check all electrical equipment and appliances to ensure that they are safe before using. Inspect power supply leads, plugs and all electrical connections for wear and damage. Sealey recommend that an RCD (Residual Current Device) is used with all electrical products. You may obtain an RCD by contacting your local Sealey dealer.

If the product is used in the course of business duties, it must be maintained in a safe condition and routinely PAT (Portable Appliance Test) tested.

Electrical safety information, it is important that the following information is read and understood.

- 1.1.1. Ensure that the insulation on all cables and on the appliance is safe before connecting it to the power supply.
- 1.1.2. Regularly inspect power supply cables and plugs for wear or damage and check all connections to ensure that they are secure.
- 1.1.3. **Important:** Ensure that the voltage rating on the appliance suits the power supply to be used and that the plug is fitted with the correct fuse - see fuse rating in these instructions.

- * **DO NOT** pull or carry the appliance by the power cable.
- * **DO NOT** pull the plug from the socket by the cable. Remove the plug from the socket by maintaining a firm grip on the plug.
- * **DO NOT** use worn or damaged cables, plugs or connectors. Ensure that any faulty item is repaired or replaced immediately by a qualified electrician.

- 1.1.4. This product is fitted with a BS1363/A 13 Amp 3 pin plug.

If the cable or plug is damaged during use, switch off the electricity supply and remove from use. Replace a damaged plug with a BS1363/A 13 Amp 3 pin plug. If in doubt contact a qualified electrician. Class II products are wired with live (brown) and neutral (blue) only are marked with the Class II symbol;

A) Connect the BROWN live wire to the live terminal 'L'.

B) Connect the BLUE neutral wire to the neutral terminal 'N'.

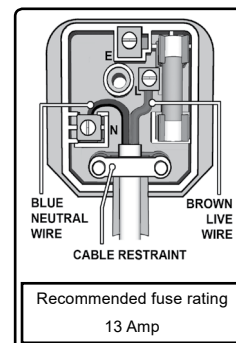
C) After wiring, check that there are no bare wires and ensure that all wires have been correctly connected.

Ensure that the cable outer sheath extends inside the cable restraint and that the restraint is tight.

- * **DO NOT** connect either wire to the earth terminal.
Sealey recommend that repairs are carried out by a qualified electrician.

1.2. GENERAL SAFETY

- ✓ Check that the unit is in sound condition and good working order. Take immediate action to repair or replace damaged parts.
- ✓ Use recommended parts only. Unauthorised parts may be dangerous and will invalidate the warranty.
- * **DO NOT** stand or place any object less than 20cm from the front of the unit, 20cm from the rear and sides of the unit, and 60cm above the unit.
- * **DO NOT** obstruct the air intakes or outlets of the unit, and do not cover with washed clothes.
- * **DO NOT** place any object into the outlets - the unit has a fan running at high speed, contact with this will cause injury.
- * **DO NOT** operate the unit when you are tired or under the influence of alcohol, drugs or intoxicating medication.
- * **DO NOT** switch the unit off by disconnecting it from the mains. ALWAYS switch to the "OFF" position first.
- * **DO NOT** remove the float lever from the water collection tank.
- * **DO NOT** connect or disconnect the plug from the mains with wet hands.
- ✓ Always discard the water from the collection tank, **DO NOT** use it for any other purpose.
- ✓ Place the unit on a level and stable surface.
- ✓ To prevent water from freezing, **DO NOT** use the unit at ambient temperatures below 0°C.
- * **DO NOT** use the unit outside.
- ✓ Ensure that heating appliances are not exposed to the flow of air from the unit.
- ✓ Before attempting to move the unit, empty the contents of the water tank. Use side carrying handles when moving unit.
- ✓ Switch off and disconnect unit from the mains before attempting any cleaning or other maintenance work.
- ✓ Ensure that the unit is correctly turned off when not in use, and stored in a safe, dry area, out of reach of children.



2. INTRODUCTION

4-in-1 Air cooler, heater, air purifier and humidifier. Remote control and panel control. Active carbon filter. Germ-free cooling by rotating water curtain. Large anti-bacterial water tank. Generates negative ions to purify and sterilise output air. Hi-tech PTC heating element assures safer and rapid heating with two power options (1000/2000W). Two choices of airflow directions. Three selectable fan speeds. Up to 7.5 hour timer. Easy to operate and move around on castors.

3. SPECIFICATION

Model No:	SAC41.V2
Anion Density:.....	2million/cm ³
Cooler:	70W
Cooling Water Tank:	8ltr
Heater:	1000/2000W
Maximum Airflow:.....	350m ³ /hr
Nett Weight:	8kg
Supply:.....	230V
Battery:	CR2025

4. OPERATION

4.1. CONTROL PANEL FUNCTIONS.

4.2. HEAT/COOL AIR SELECTION CONTROL (ON SIDE OF UNIT - FIG.1)

4.2.1. Before the heater functions can be used this lever must be moved to the HEAT position. When the cooling functions are required move the lever to the COOL position.

4.3. TIMER

4.3.1. By pressing the timer button, the timer can be set to switch off the unit, in periods of time from 0.5 to 7.5 hours in half hour increments. As you press the button the four indicator lights above it will illuminate in different combinations. The time period selected is indicated by adding together the time values above each illuminated light. To turn the timer off, advance the timer setting to 7.5 hours (all four lights illuminated), then press the button once more and the timer is switched off.

NOTE: If the timer is not selected, the unit will continue to work in the mode that it is set, until the unit is switched off manually.

4.4. WIND

4.4.1. The direction of the air flow coming out of the unit is controlled by two sets of louvres. The horizontal louvres on the front of the machine can be manually adjusted up or down. Behind these louvres is a second set of electrically driven vertical louvres which can be made to oscillate from side to side by pressing the Wind button. An indicator light will illuminate above the button to show that the louvres are working. To cancel the movement, press the button again. The indicator light will go out.

4.5. FAN SPEED

4.5.1. There are three speeds available: High, Medium, Low. Press the button to cycle through these until the desired speed is reached.

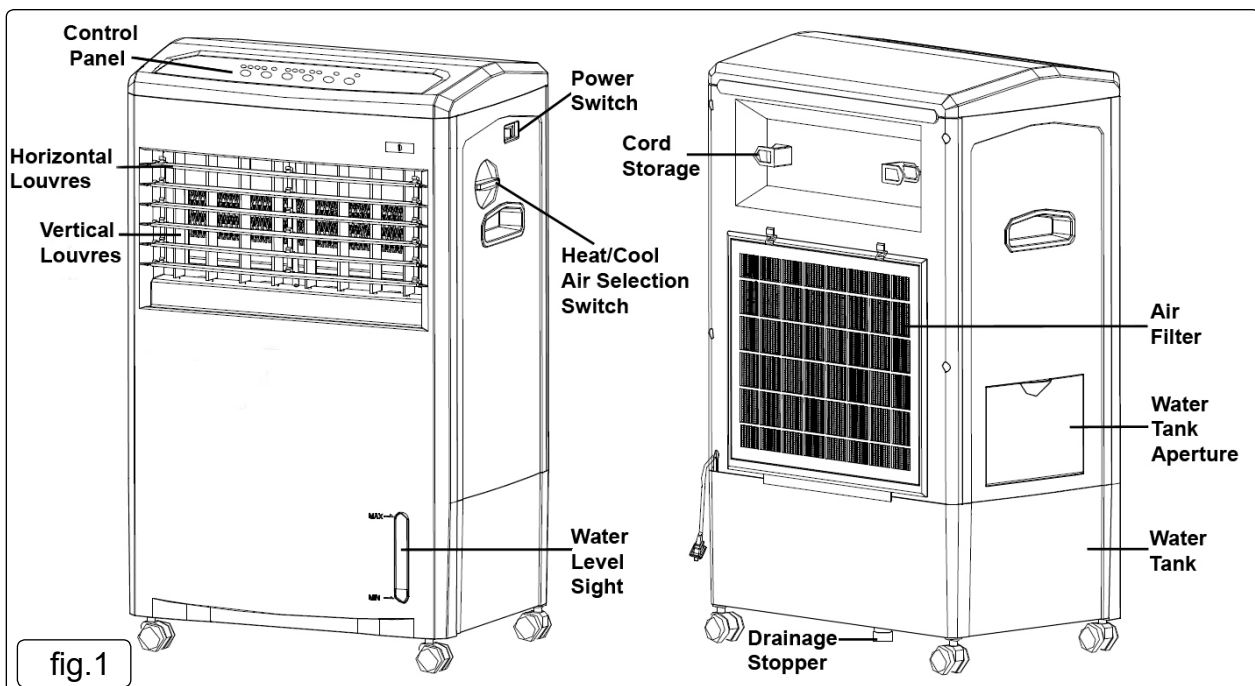
NOTE: In Heat mode, only two fan speeds are available: Medium and Low.

4.6. HEATING

4.6.1. Before switching to the Heat function, make sure that the air selection switch is moved to the HEAT position. This unit contains a special heater with a Positive Temperature Coefficient element. Press the button to cycle through the available heating options. One press will illuminate the PTC1 indicator which is equivalent to 1000Watts. A second press will illuminate both PTC1 and PTC2 indicators, which is equivalent to 2000Watts. A third press switches the heater off.

4.7. COOLING

4.7.1. Before switching to the cooling function make sure that the air flow control lever is moved to the COOL position. Press the button once to activate the cooling function. The 'Icy Breeze' indicator light above the button will illuminate. To stop the cooling function, press the button again and the indicator light will go out.



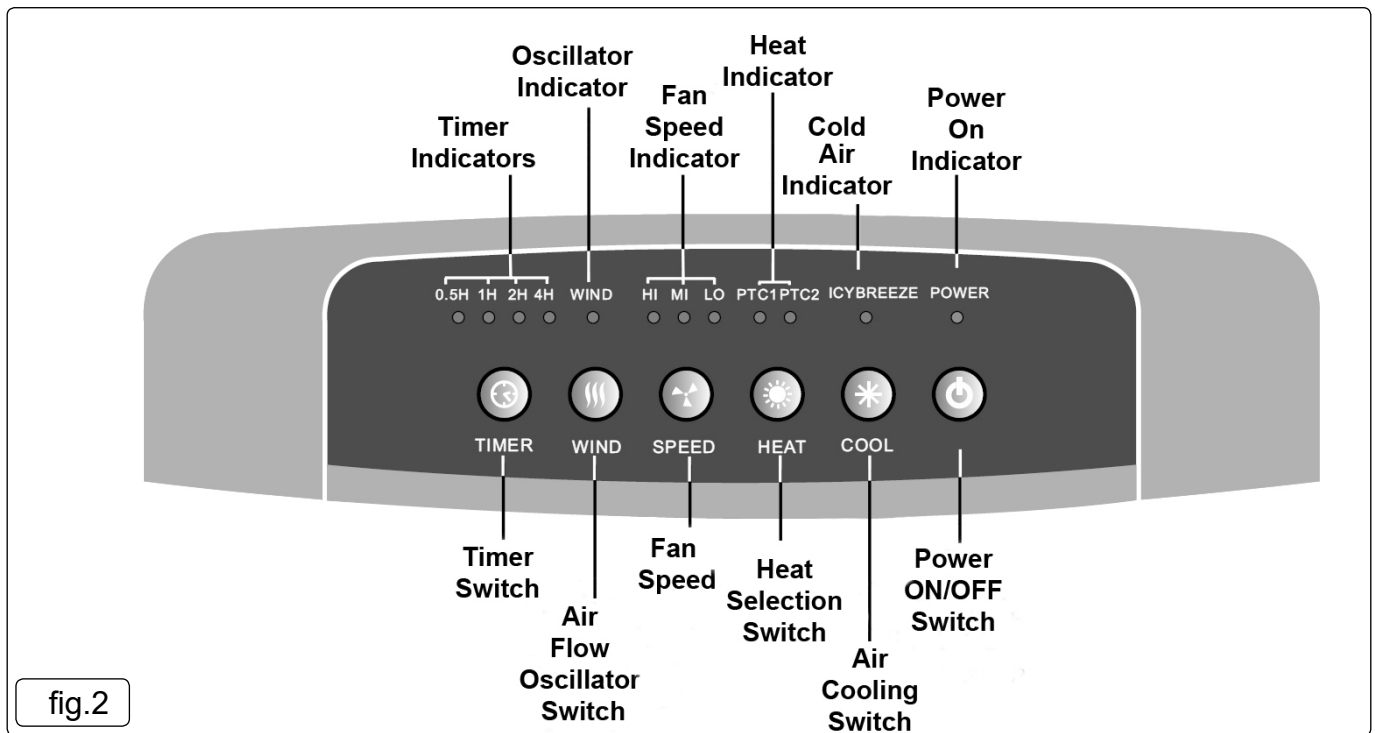


fig.2

4.8. ON/OFF

4.8.1. When the unit is plugged in, it will beep to show that it is in Standby mode. Switch the unit on by pressing the ON/OFF button. The power indicator above the button will illuminate.

4.9. PREPARING THE UNIT FOR COOLING

4.9.1. The unit produces a cooling effect by evaporating water which is contained in a tank in the base of the unit. Before using as a cooler, the water tank must be filled. *Ensure that the unit is unplugged from the mains supply before topping up with water.* Open the water tank aperture on the side of the unit (fig.1), and pour water into the tank. Check the level of water in the tank through the water level sight at the front of the unit. The level should be between 'min' and 'max'. Close the cover. For an increased cooling effect, additionally place ice directly into the tank.

4.9.2. Plug the unit into the mains supply.

4.9.3. Switch the unit on by pressing the Power switch on the side of the unit.

4.9.4. Press the On/Off button on the control panel.

4.10. USING THE UNIT FOR COOLING

4.10.1. Make sure that the air selection switch is moved to the COOL position.

4.10.2. Press the COOL button once to activate the cooling function. The 'Icy Breeze' indicator light above the button will illuminate. The fan will start to run at the speed last set.

4.10.3. Adjust the speed of the fan if required using the SPEED button.

4.10.4. Activate the louvre oscillation if required using the WIND button. Adjust the airflow up or down manually via the horizontal louvres.

4.10.5. Set the timer if required using the TIMER button.

4.10.6. To stop the cooling function press the COOL button again and the indicator light will go out.

4.11. USING THE UNIT FOR HEATING

4.11.1. Make sure that the air flow control lever is moved to the HEAT position.

4.11.2. Press the HEAT button once or twice to select the required heating level. The indicator lights above will show the heating level selected. The fan will start to run at the speed last set.

4.11.3. Adjust the fan speed if required using the SPEED button.

NOTE: Only two fan speeds are available: Medium and Low.

4.11.4. Activate the louvre side oscillation if required using the WIND button. Adjust the air flow up or down manually via the horizontal louvres.

4.11.5. Set the timer if required using the TIMER button.

4.11.6. To stop the heating function press the HEAT button until the indicator lights go out.

4.11.7. When the unit is switched OFF, using the ON/OFF button, the fan will continue to run for about 30 seconds. During this time the power light will flash until the unit shuts down.

4.12. USING THE UNIT TO HUMIDIFY

4.12.1. In a dry and warm atmosphere the cooling action of the unit naturally adds humidity to the air due to the fact that the cooling action is provided by the evaporation of water.

4.13. USING THE UNIT TO FILTER AND PURIFY

4.13.1. The air for both heating and cooling is drawn into the unit through an activated carbon filter and thus cleans the air of dust and other particles.

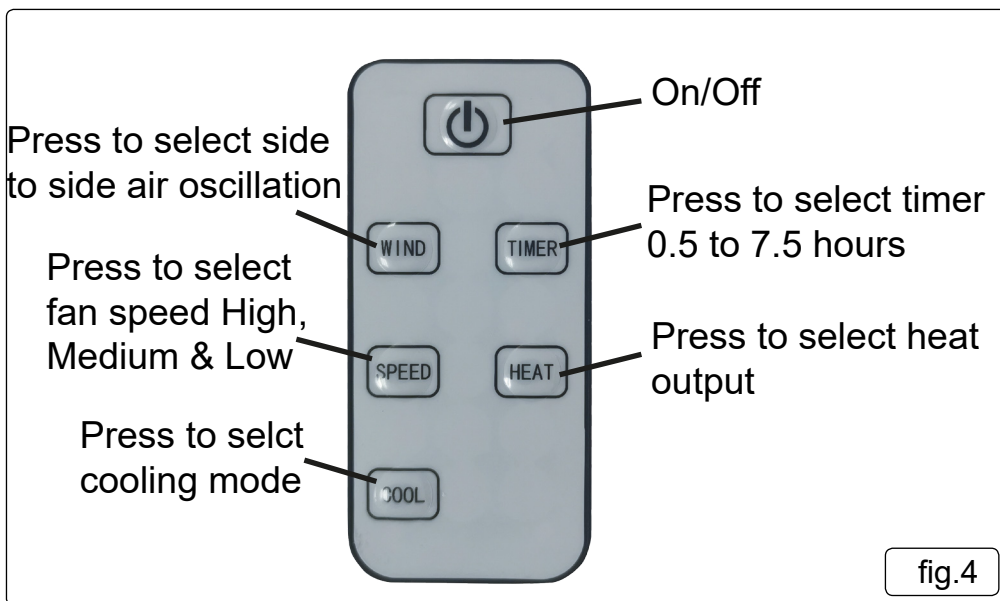
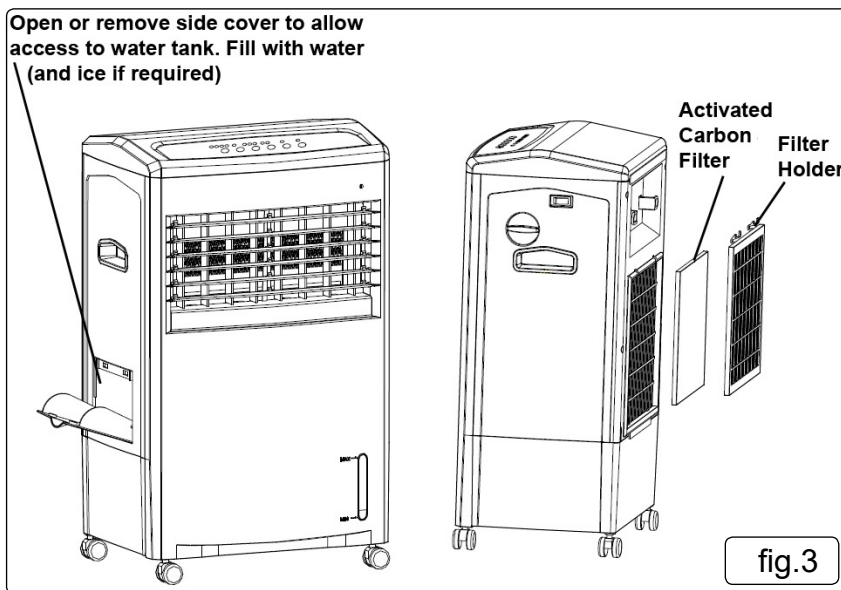
4.13.2. The unit also contains a negative ion generator which produces cleaner, fresher air and reduces airborne odours. The ion generator starts to work as soon as the unit is switched on and works in both heating and cooling modes.

4.14. USING THE UNIT AS A FAN ONLY

4.14.1. If neither heating or cooling is selected on the control panel the unit will act as a 3 speed fan. In this mode both the TIMER and WIND functions can be used.

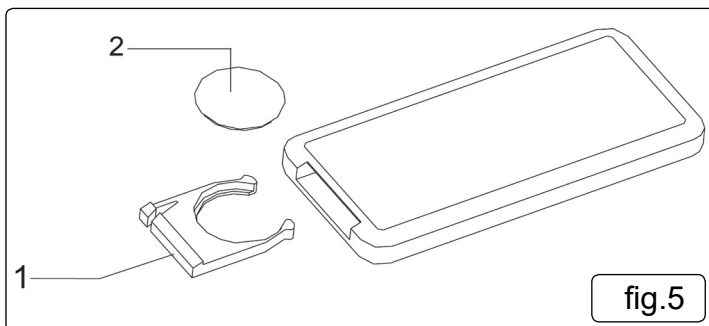
4.15. REMOTE CONTROL OPERATION

- 4.15.1. The remote control handset provides the same functionality as the main control panel on the unit.
- NOTE:** the Heat/Cool Air Flow Control Lever must still be moved manually on the unit.
- 4.15.2. Insert one CR2025 batteries into the compartment in the back of the handset, ensuring it is are correctly inserted.
- 4.15.3. Ensure that the unit is plugged into the mains supply.
- 4.15.4. Set the Warm/Cool Air Flow Control lever on the unit to the desired position.
- 4.15.5. Point the handset at the main control panel on the unit.
- 4.15.6. Turn the unit on by pressing the ON/OFF button on the handset, and then control from the handset as per the normal settings above.



4.16. CHANGING THE REMOTE CONTROL BATTERY(FIG.5)

- 4.16.1. Open the back cover and take off the isolating film on the battery;
- 4.16.2. Put the battery (CR2025) inside the slot, with positive and negative in the right directions;
- 4.16.3. Put on the back cover.



5. MAINTENANCE

- ❑ **WARNING!** Turn the unit OFF and disconnect it from the mains power supply before cleaning or performing any maintenance.

NOTE: Inspect the unit on a regular basis and replace or repair any damaged parts. Use recommended parts and an authorised service agent. Unauthorised parts may be dangerous and will invalidate the warranty.

- ✖ **DO NOT** use any solvents or abrasive material to clean the plastic exterior of the unit. Use only a damp soft cloth for cleaning and dry the unit afterwards with a clean, dry, soft cloth.

5.1. Air Filter.

- 5.1.1. Clean the air filter monthly for optimum performance. The filter is situated at the rear of the unit, and is held in place by a plastic frame.
- 5.1.2. Unclip the top two retaining clips of the frame and pull the frame upwards and outwards to remove it. Remove the filter from the frame and tap it gently to remove dust, or vacuum it gently if it is very clogged with dirt. If the filter is heavily soiled, it can be washed in warm water containing a mild, neutral detergent. Ensure that the filter is completely dry before re-installing it.
- 5.1.3. To replace the filter, first insert the two bottom tags of the filter frame into the bottom edge of the filter frame recess in the unit. Lay the filter into the filter frame and hinge the frame forwards into the recess. Push the top of the frame inwards until the two clips snap into place.

5.2. STORAGE

- 5.2.1. If the unit is not to be used for a long period of time, drain off any water remaining in the tank. Place a large enough container under the rear of the unit, remove the rubber drainage stopper (fig.1) to allow the tank to drain. When the tank is empty, replace the stopper firmly. Clean the unit and air filter as above, and store in a safe, dry area, out of the reach of children.



ENVIRONMENT PROTECTION

Recycle unwanted materials instead of disposing of them as waste. All tools, accessories and packaging should be sorted, taken to a recycling centre and disposed of in a manner which is compatible with the environment. When the product becomes completely unserviceable and requires disposal, drain any fluids (if applicable) into approved containers and dispose of the product and fluids according to local regulations.



WEEE REGULATIONS

Dispose of this product at the end of its working life in compliance with the EU Directive on Waste Electrical and Electronic Equipment (WEEE). When the product is no longer required, it must be disposed of in an environmentally protective way. Contact your local solid waste authority for recycling information.



BATTERY REMOVAL: SEE SECTION 4.16

Under the Waste Batteries and Accumulators Regulations 2009, Jack Sealey Ltd are required to inform potential purchasers of products containing batteries (as defined within these regulations), that they are registered with Valpak's registered compliance scheme. Jack Sealey Ltd Batteries Producer Registration Number (BPRN) is BPRN00705.

Note: It is our policy to continually improve products and as such we reserve the right to alter data, specifications and component parts without prior notice.

Important: No Liability is accepted for incorrect use of this product.

Warranty: Guarantee is 12 months from purchase date, proof of which is required for any claim.

Sealey Group, Kempson Way, Suffolk Business Park, Bury St Edmunds, Suffolk. IP32 7AR



01284 757500



01284 703534



sales@sealey.co.uk



www.sealey.co.uk