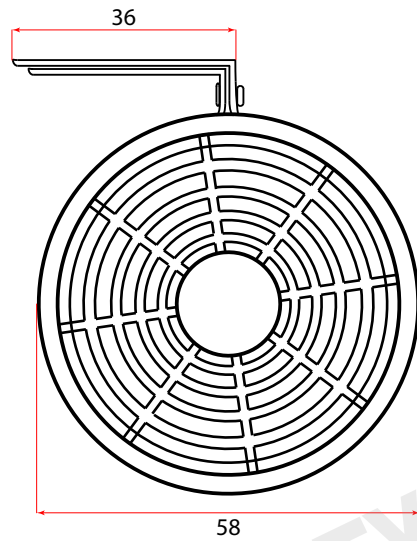
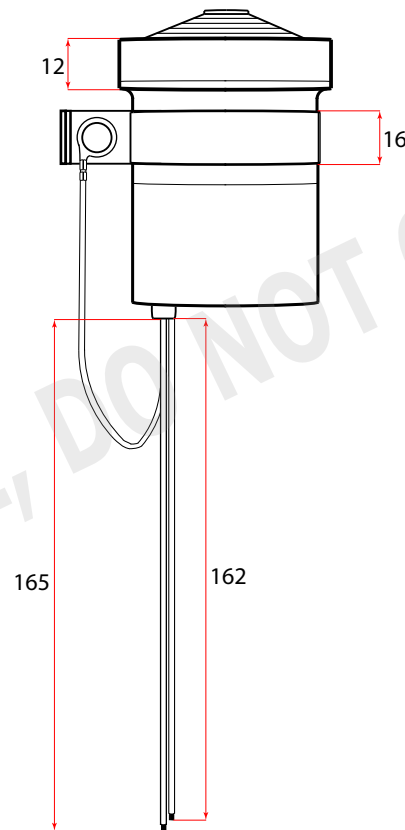


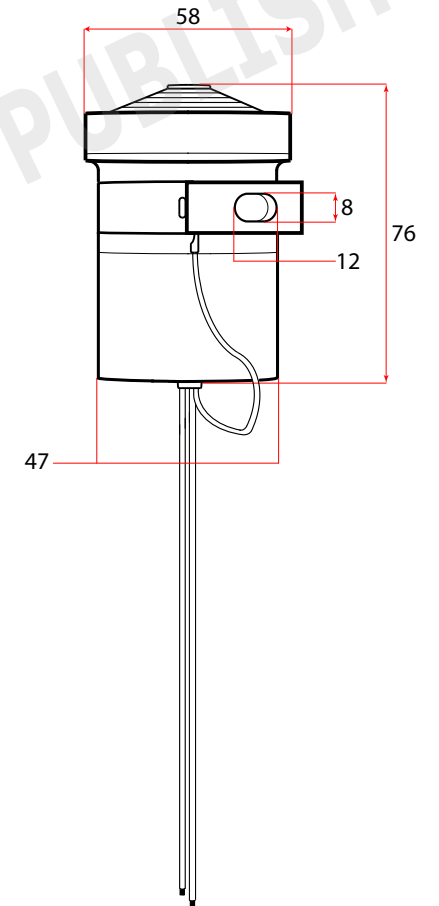
TOP VIEW



SIDE VIEW 1



SIDE VIEW 2



+ / - 5% All Dimensions In MM

Part Number	05-003
Voltage	12V
Sound Output	85 dB min @ 1m
Case Material	ABS
Bracket Material	Galvanised Iron



Marlborough Works, Marlborough Road, Accrington, BB5 5BE
 Tel: +44 (0) 1254 300 730 Fax: +44 (0) 1254 237432
 e-mail: sales@currentcare.co.uk

© Copyright CurrentCare Ltd 2021

All Measurements And Specifications Are Accurate + / - 5%
 Some Specifications May Vary / Change Without Prior Notice