



Please dispose of packaging for the product in a responsible manner. It is suitable for recycling. Help to protect the environment, take the packaging to the local amenity tip and place into the appropriate recycling bin.

sip
SIP INDUSTRIAL

machinery specialists since 1968

3 Ton & 6 Ton Jack Stand



03637 | 03641

*FOR HELP OR ADVICE ON THIS PRODUCT PLEASE CONTACT YOUR DISTRIBUTOR,
OR SIP DIRECTLY ON:*

TEL: 01509500400

EMAIL: sales@sip-group.com or technical@sip-group.com

www.sip-group.com

*Please read and fully understand the instructions in this manual
before operation. Keep this manual safe for future reference.*

Declaration of Conformity

We

SIP (Industrial Products) Ltd
Gelders Hall Road
Shepshed
Loughborough
Leicestershire
LE12 9NH
England

As the manufacturer's authorised representative within the EC
declare that the


3 Ton Jack Stand - SIP Part No. 03637
6 Ton Jack Stand - SIP Part No. 03641

Conforms to the requirements of the following directive(s), as indicated.

2006/42/EC Machinery Directive

And the relevant harmonised standard(s), including

EN 1494:2000+A1:2008
EN 12100:2010

Signed: 

Mr P. Ippaso - Managing Director - SIP (Industrial Products) Ltd
Date: 17/09/2014.



MAINTENANCE

- Examine jack stands for cracked welds bent components and any damage before each use. **DO NOT** use if even a small crack, bend or any other damage appears - Discard the jack stand if damaged or deformed.
- Wipe clean the jack stands after each use.
- Do not apply oil or grease to any part of the jack stand.
- Wipe clean and store in a dry location when not in use.

CONTENTS

<i>Page No.</i>	<i>Description</i>
4.	Safety Symbols Used Throughout This Manual
4.	Safety Instructions
6.	Guarantee
6.	Contents and Accessories
7.	Getting to Know Your Jack Stand
8.	Technical Specification
9.	Assembly Instructions
9.	Operating Instructions
10.	Maintenance
11.	Declaration of Conformity

SAFETY SYMBOLS USED THROUGHOUT THIS MANUAL



Danger / Caution: Indicates risk of personal injury and/or the possibility of damage.



Note: Supplementary information.

SAFETY INSTRUCTIONS



Important: Please read the following instructions carefully, *failure to do so could lead to serious personal injury and / or damage to the jack stand or vehicle.*

When using your jack stand, basic safety precautions should always be followed to reduce the risk of personal injury and / or damage to the stand.

Read all of these instructions before operating the stand and save this user manual for future reference.

The stand should **not** be modified or used for any application other than that for which it was designed.

The stand was designed to support one end of a vehicle, or similar after it has been raised by a jack or similar.

If you are unsure of its relative applications do not hesitate to contact us and we will be more than happy to advise you.

Before each use of the stand always check no parts are broken and that no parts are missing.

Always operate the stand safely and correctly.

KNOW YOUR JACK STAND: Read and understand the owner's manual and labels affixed to the stand. Learn its applications and limitations, as well as the potential hazards specific to it.

KEEP WORK AREA CLEAN AND WELL LIT: Cluttered work benches and dark areas invite accidents. Floors must not be slippery due to fuel, oil, water or sawdust etc.

KEEP CHILDREN AND UNTRAINED PERSONNEL AWAY FROM THE WORK AREA: All visitors should be kept at a safe distance from the work area.

STORE THE STAND SAFELY WHEN NOT IN USE: The stand should be stored in a dry location and out of the reach of children.

STAY ALERT: Always watch what you are doing and use common sense. Do not operate or work around the stand when you are tired or under the influence of alcohol or drugs.

ASSEMBLY INSTRUCTIONS

The jack stands come already assembled, but the column retaining tab needs to be 'pressed in' to hold the centre column in place.

Remove the jack stands from their packaging.

Cut the cable tie holding the centre column in place during transit.

Ensure that the centre column is inserted correctly and that it moves freely.

Using a hammer / punch (not supplied) tap the retaining tab (D, Page 7) in place so that it stops the centre column from being removed.

Follow these instructions for both jack stands.

OPERATING INSTRUCTIONS



Caution: Use as a pair to lift one end of the vehicle **ONLY**.

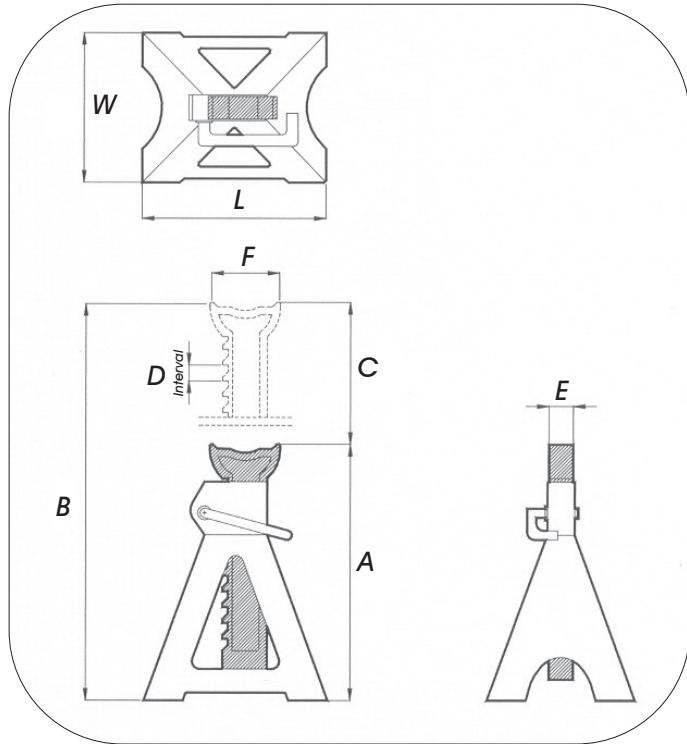


Caution: Ensure the vehicle does not exceed the capacity of the jack stands.

It is the responsibility of the owner/ operator to visually inspect the stands before and after each use, checking for cracked welds, damage, loose or missing parts. Any stands with visual defects, loss of components or exposure to abnormal loads or shock should not be used and must be inspected by an SIP authorized service centre.

1. Chock the vehicle's wheels which are to be left on the ground.
2. Lift the vehicle to the desired height using an appropriately rated jack.
3. Ensure the jack and vehicle are at a safe working height and the setup is stable before positioning the jack stands.
4. Position the jack stands right below the area of the vehicle to be supported.
5. Extend the support columns to the proper height adjustment as close to the vehicle as you can without the saddles touching the vehicle frame or support points. Make sure the locking pawls are fully engaged with the column's teeth.
6. Slowly and gently lower the load on to the jack stand saddles. Shock loads or loads dropped abruptly on stands can cause premature metal fatigue or even vehicle damage depending on the weight of the vehicle and the speed of descent that impacts the stands' support columns.
7. After the work is done, pump the jack high enough to remove the vehicle or load from the jack stand saddles. Be sure load is stable. If it is not, lower load back onto jack stands. Make appropriate setup corrections and repeat the step again. Remove the jack stands from under the vehicle taking care not to move the vehicle.

TECHNICAL SPECIFICATION



Model No.	03637	03641
Maximum Load (per stand)	3 Tons	6 Tons
A	310 mm	610 mm
B	450 mm	940 mm
C	140 mm	330 mm
D	15 mm	18 mm
E	27 mm	30 mm
F	90 mm	110 mm
W & L	190 mm x 210 mm	265 mm x 295 mm
Net Weight (pair)	6.8 Kg	14.72 Kg

SAFETY INSTRUCTIONS...cont

CHECK FOR DAMAGED PARTS: Before every use of the stand, any damage found should be carefully checked to determine that it will operate correctly, safely and perform its intended function. Any damaged, split or missing parts that may affect its operation should be correctly repaired or replaced before operation.

HAVE YOUR STAND REPAIRED BY A QUALIFIED PERSON: The stand is in accordance with the relevant safety requirements. Repairs should only be carried out by qualified persons using original spare parts, otherwise this may result in considerable danger to the user.

WARNING! Only operate on a level and stable surface and never use on soft ground where the jack stands are likely to "sink" whilst in operation.

DANGER! Great care must be taken to ensure you lower the vehicle slowly and carefully onto the centres of the axle stands.

DO NOT use a single stand - only use in pairs.

DO NOT use four stands on one vehicle.

- Stop operation immediately if you notice anything abnormal.
- Be alert at all times, especially during repetitive, monotonous operations; Don't be lulled into a false sense of security.
- **Do not** modify the stand to do tasks other than those intended.
- Check the vehicle owners manual for correct vehicle weight - do not exceed axle stands' safe working load.
- Ensure the load is centred on the saddle of the jack stands.
- Securely chock wheels remaining on the ground.
- Ensure that each stand is securely located under a strong point on the vehicle - consult vehicle owner's manual for guidance.
- Ensure that vehicle and stands are stable before starting work.
- Make sure that the operator informs a responsible person before commencing work in case of an accident / emergency.



CAUTION: The warnings and cautions mentioned in this user manual can not cover all possible conditions and situations that may occur. It must be understood by the operator that common sense and caution are factors which cannot be built into this product, but must be applied.

GUARANTEE

These SIP jack stands are covered by a 12 month parts and labour warranty covering failure due to manufacturers defects. This does not cover failure due to misuse or operating the stand outside the scope of this manual - any claims deemed to be outside the scope of the warranty may be subject to charges including, but not limited to parts, labour and carriage costs.



Note: Proof of purchase will be required before any warranty can be honoured.

CONTENTS AND ACCESSORIES

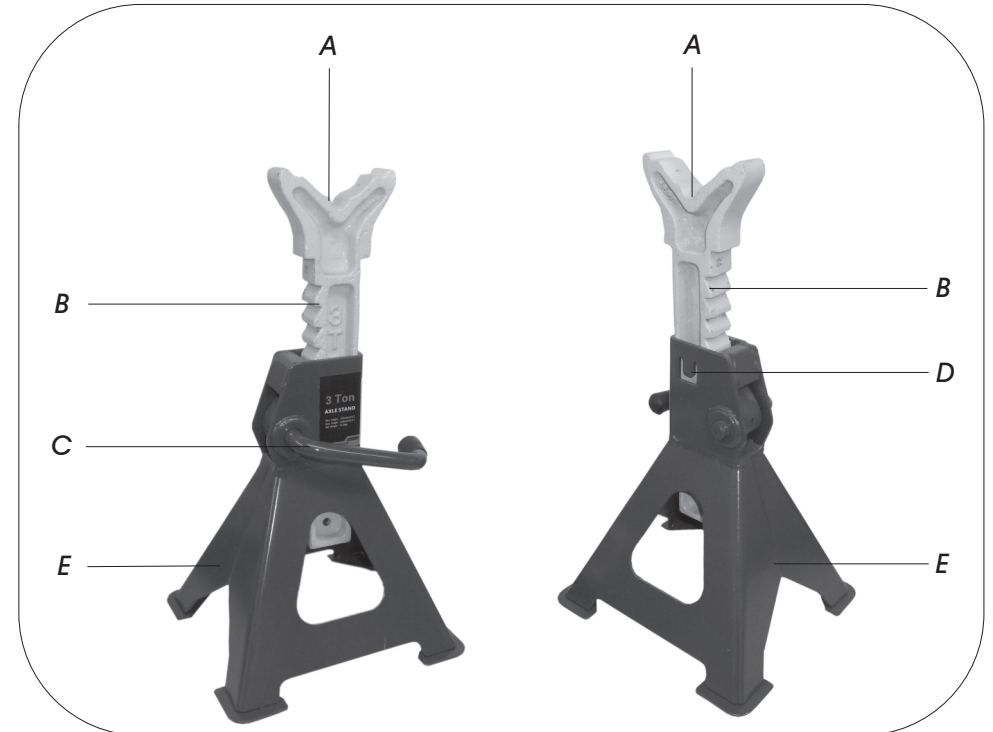


- 1. Jack Stand Base x 2.
 - 2. Centre Column x 2.
- Instruction Manual (not pictured).



Note: If any of the above are missing or damaged, contact your distributor immediately.

GETTING TO KNOW YOUR JACK STAND



Ref.	Description	Ref.	Description
A.	Saddle	D.	Column Retaining Tab
B.	Centre Column	E.	Main Base
C.	Ratchet Handle		