

Sliding Carriage

General notes

After unpacking, check all parts for any transport damage. Inform the supplier immediately of any fault.

Later complaints cannot be considered.

Make sure the delivery is complete.

Before putting into operation, familiarize yourself with the machine by carefully reading these instructions.

We recommend



That you read and fully understand these operating instructions before putting the sliding carriage into operation.



Notes on safety

- Follow the safety instructions for your machine.
- During work, ensure that the workpiece is guided safely and accurately.
- Do not remove guards.



Using device for its intended purpose

This sliding table is designed for woodworking only and must only be fitted to the table saw for which it was designed.

The minimum and maximum dimension of the workpiece must permit safe workpiece guidance. The workpieces being cut must always be free from foreign bodies such as nails and screws.

Before commencing work, read the operating manual for your table saw.

Do not remove any guards or clamping devices; these are required for safe operation.

Technical specifications

SIP item number	01495
Swing range of stop rail	
continuous on both sides	up to 45°
Stop rail	Max. 1500 mm
Sliding rail length	2000 mm
Bench width	500 mm
Bench length	480 mm

Scope of delivery

Sliding rail
Sliding bench
Scale mount
Stop tube
Complete stop rail
Folding stop
Mounting bracket
Workpiece clamp
Assembly accessories (separate pack)
Operating manual


Assembly

Assembly tools

1 open-end spanner 10mm
1 open-end spanner 13 mm
1 allen key 5 mm
1 allen key 6 mm
1 screwdriver(not included)

To simplify packing, your slide bench is not fully assembled when shipped.

Before assembling / fitting the sliding carriage, the left hand extension table will need to be removed.

 **Warning:** The extension table is heavy; at least 2 persons are required to carry out this operation safely.

1. Loosen (do not completely undo) the nuts of the front and rear fence rail retaining bolts enough to allow the fence rails to slide.
2. Slide the front and rear fence rails to the right, and remove the left hand extension table (see the "8.2 installing the extension table" section in the user manual supplied with your saw, and follow the instructions in reverse to remove the extension table). Remove the square head bolt from the front fence guide rail, as this will be needed once the extension table is fitted to the right hand side of the saw.
3. With the table removed, the fence support rails can be set to the correct position. Line up the left hand end of the rails with the left hand edge of the saws main table and re-tighten the securing bolts (see Fig. below).



The left hand extension table can now be fitted to the right hand side of the saw (if required) to provide extra workpiece support.

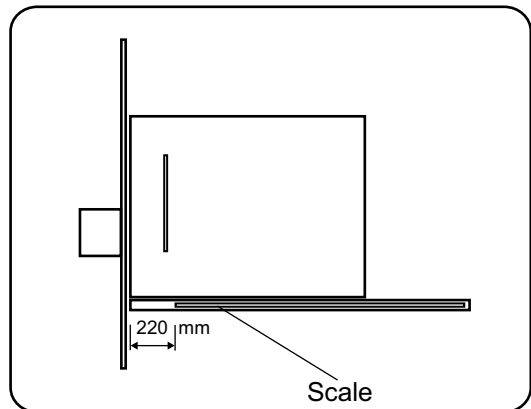
4. Fit the 2 supplied support legs to the right hand side of the extension table (ensure the bevelled edge is at the front of the saw), use the holes that previously held the extension table to the main saw bed to attach the support legs (see Fig. below).



5. Extend the support legs to approximately the correct height and tighten the allen bolts to lock them, follow "8.2 installing the extension table" section in the user manual supplied with your saw to re-fit the extension table (see Fig. below). Ensure the square head bolt, previously removed from the front fence support rail is re-fitted and that it lines up with the hole on the extension table before all nuts / bolts are fully tightened.



6. Fully extend the adjustable support legs to the correct height and tighten the allen bolt to secure. Because the support rails have been moved to the right, the scale will no longer be set correctly.
7. Remove the old scale and replace it with the one supplied with the sliding carriage (see Fig. below).



Sliding bench

Fit the scale mount (1) to the sliding bench.
2 allen bolts M6x16

Insert the intermediate plates (2) into the stop tube
do not tighten the screws.

2 washers 6mm
2 thumbscrew M6

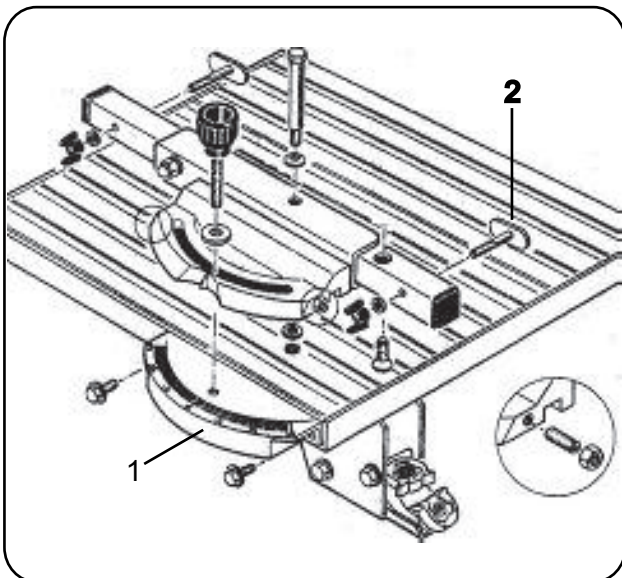
Fit the stop tube on the sliding bench.

1 swing bolt
2 washers 8mm
1 Wave washer 8mm
1 hex nut M8

The wave washer must be between the stop tube
and the sliding bench.

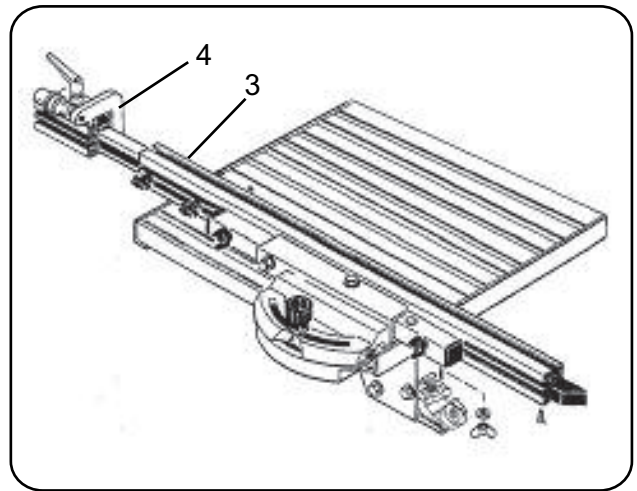
Adjust the scale mount

Release the 2x allen bolts M6x16 and shift the
scale mount to the left or to right make sure the
pointer with the "0" scale. then tighten the 2x allen
bolts



Slide the guide rail (3) over the intermediate plates
(2) and tighten the thumbscrews .

Insert the folding stop (4) into the end stop and
tighten the T-screw.



Mounting bracket

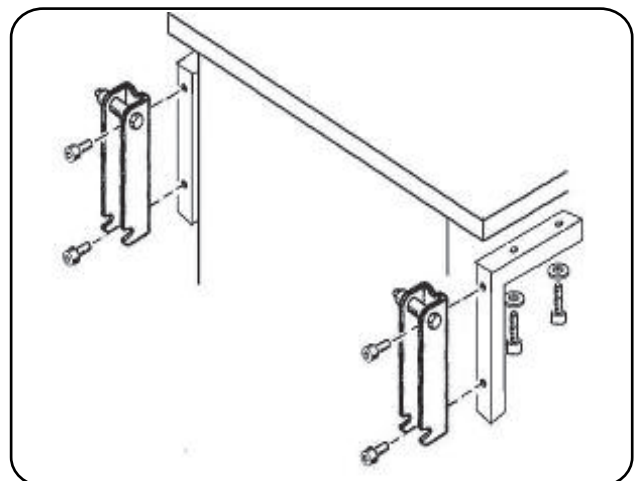
Fit the two "L" mounting brackets to the table
of table saw.

4 allen bolts M8x50

Fit the two mounting brackets to the two "L"
mounting brackets.

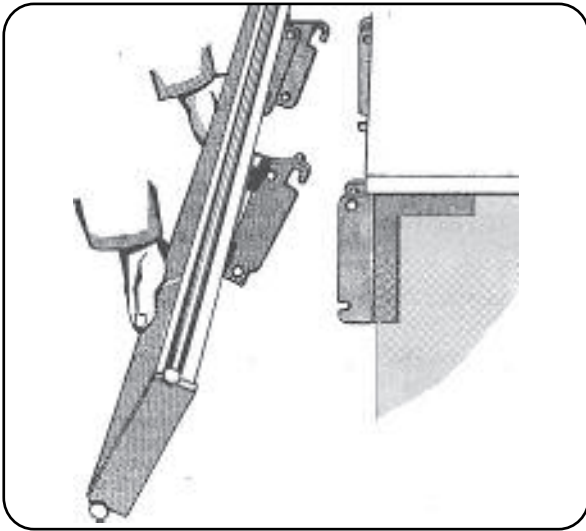
4 allen bolts M8x20

***Make sure the slide bench must run parallel to
the bench surface.***



Sliding rail

Insert the Sliding rail from above at a slight
angle into the mounting brackets and tighten
the wing nuts.



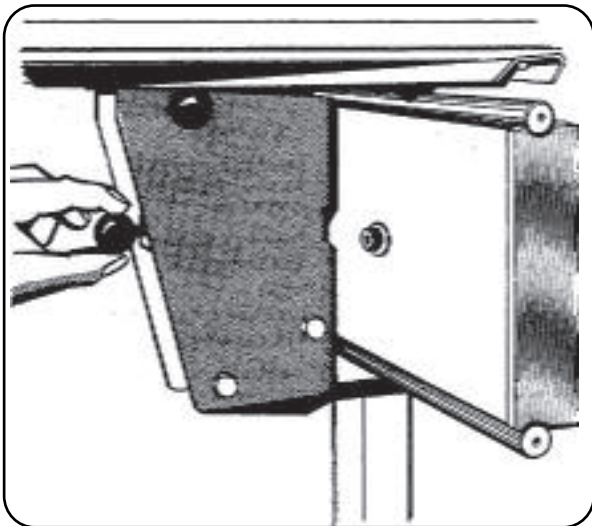
Mounting the sliding bench.

To mount the sliding bench on the sliding rail, unlock the stop bolt.

Pull out the ball knob and turn clockwise or counter-clockwise (1/4turn).

Slide the bench on the sliding rail, ensuring that the bearings line up correctly and the bench runs smoothly.

Turn the ball knob until it is in its original position to prevent the bench from falling from the rail unintentionally.

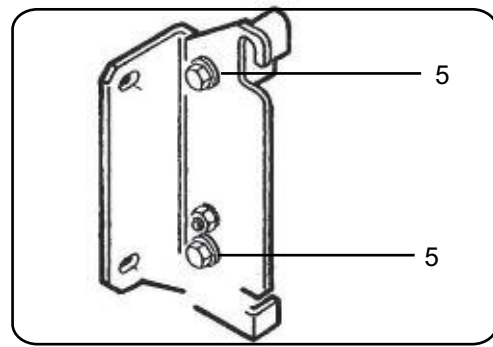


Adjusting the sliding bench.

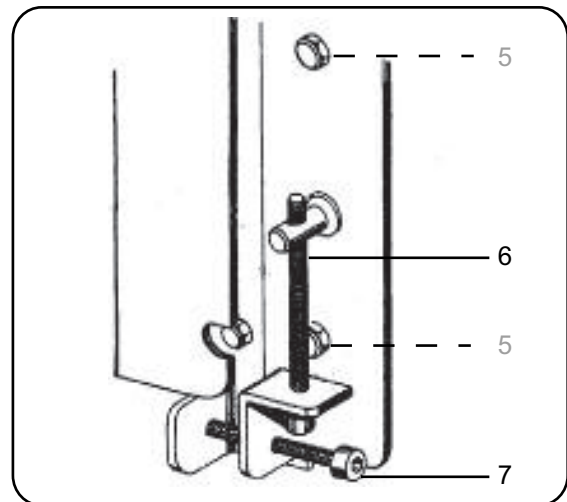
Adjust the sliding table so that it is flush with the main bed of the saw. To assist with the alignment, use the main ripfence (inverted) from the saw. Lay it accross both the sliding table and fixed main bed and adjust the height / angle until both are completely level.

The adjustment is made at the left and right rail fixture.

- Loosen the two hexagon screw (5) slightly.



- By alternately adjusting the height adjustment screw (6) and the angle adjustment screw (7), align the slide bench so that it is at the same height as the cutting table.
- Test and measure the parallel motion of the slide bench to the cutting bench.
- Measure in front and back positions.
- If necessary, release 4x allen bolts on two "L" mounting bracket to measure the parallel motion.
- Tighten the hexagon nuts (5).



Workpiece stop angle correction

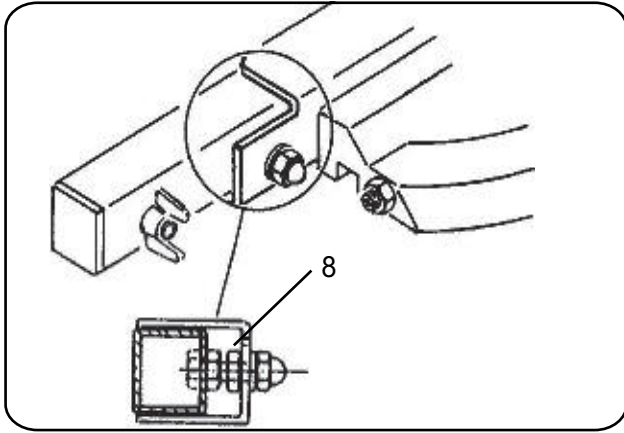
After making a test cut, check the 90° angle.

Loosen the cap nut to make the necessary correction.

Swing back the stop tube a short way and set the adjusting nut (8) by hand.

Tighten the cap nut again and make a further test cut.

Repeat the correction procedure as necessary.



Stop rail.

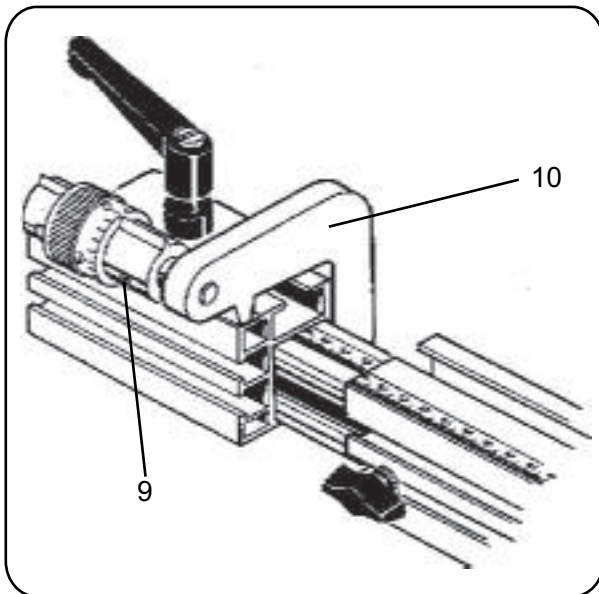
The stop rail is **1500 mm** long when it is fully pulled out.

Adjust the folding stop on the end stop to exactly **900 mm**. when pulling out the end stop rail, read the length on the scale.

Fine adjustment can be made using the knurled screw on the folding stop.

- 1 division=0.1mm**
- 1 turn = 2mm**

Tighten the screw (9) onto the axle of the stop lever (10) so that the stop lever does not drop down when folding.



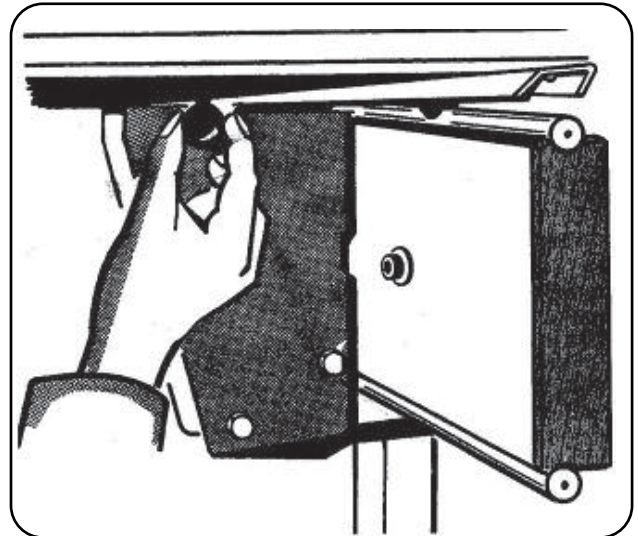
Angle stop

The angle stop can swing to **45°** either side of **0**.

Loosen the handwheel on the swing segment, pull out and turn the ball knob (situated under the slide

bench) 1/4 of a turn, the desired angle between **45°** either side of 0 can now be set, re-tighten the handwheel to lock in place.

When swinging the angle stop back, lock the ball knob back into place below the slide bench by hand.

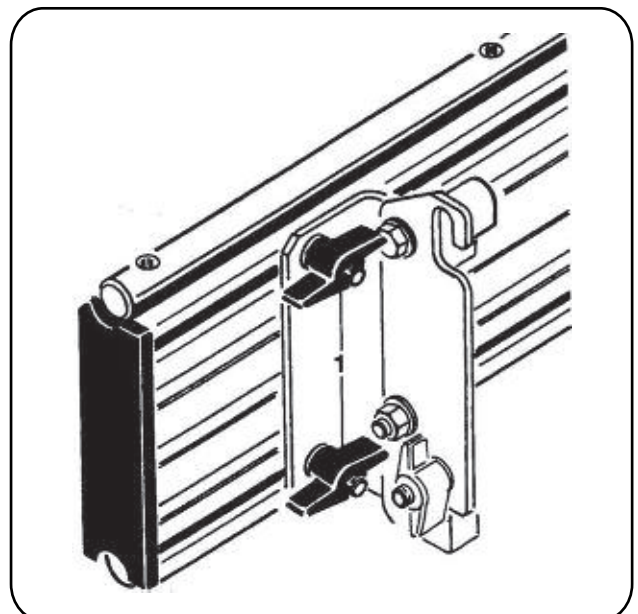


Sliding rail

The sliding rail can be moved forwards or backwards.

Loosen the 2 wing nuts on the left and right hand mounting brackets.

Depending on the size of the workpiece, move the sliding rail into the ideal position relative to the main table, then tighten both sets of wingnuts.

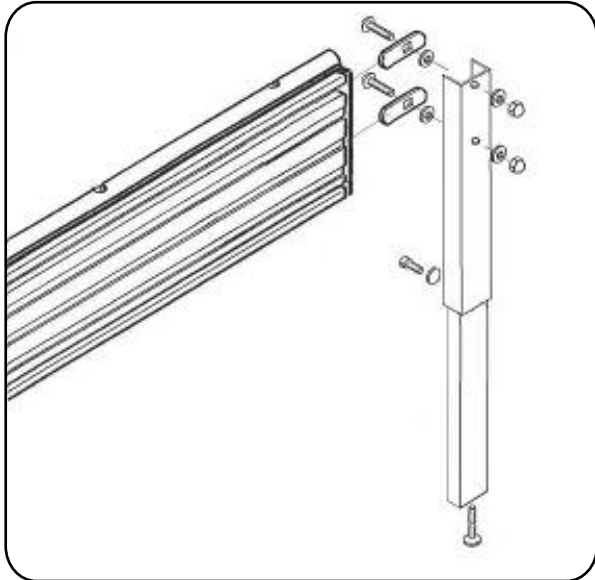


Mounting the Support Leg to the Sliding Rail

An adjustable support leg is supplied to be mounted onto the sliding rail for safe operation(see picture).

Extend the support leg to approximately the correct height, then mount it.

Fully extend the adjustable support leg to the correct height and tighten the allen bolt to secure.

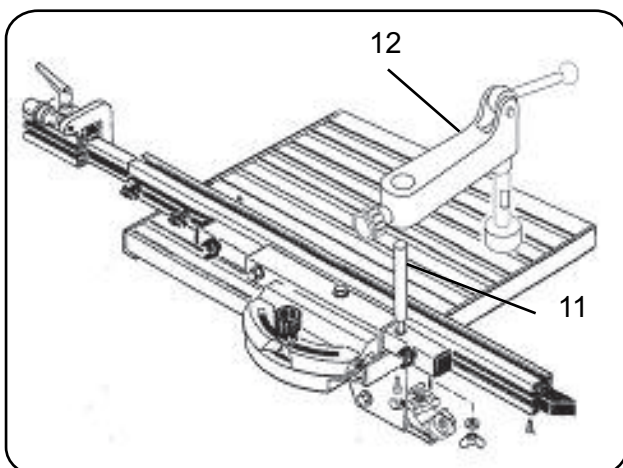


Workpiece Clamp

Safe workpiece guidance is a precondition for accurate and safe working. It is therefore important that you use the workpiece correctly.

Fit the pulling rod into its locating hole situated on the stop tube (see picture). Hold the rod in place with the supplied counter sunk screw (from below).

Attach the workpiece clamp (12) to the pulling rod; the desired height can be held with the handwheel.

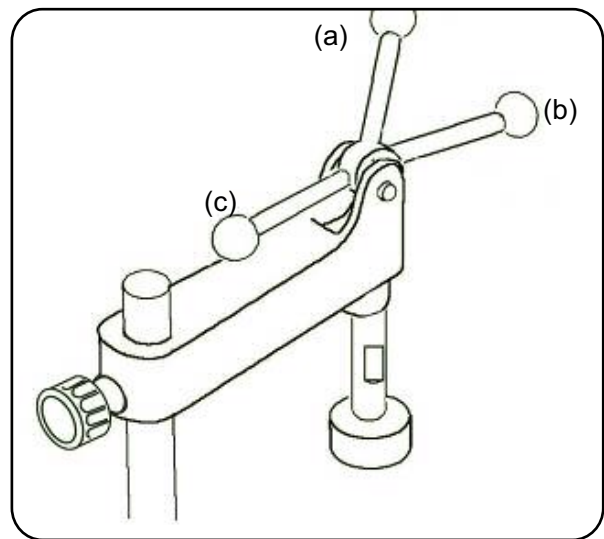


Adjustment of workpiece clamp

Place the workpiece on the bench. Apply the workpiece clamp with the lever in position(a) to the pulling rod.

Loosen the height adjusting handwheel and place the lever in position (b), lower the clamp until it is touching the workpiece, re-tighten the handwheel to secure.

To clamp the workpiece, move the clamp into position(c).



Maintenance

Keep the bench surface free from resin. Occasionally check the function of the wiper springs on the bench bearings.

Partlist

No.	Description	No.	Description
001	Ratchet lever M6	051	U bracket
002	Bushing	052	Carriage bolt M8x85
003	Flat washer 6mm	053	Spring
004	Folding stop	054	Roll pin 3x30
005	Bolt guide	055	Rotate shaft
006	Carriage bolt M6x36	056	Mounting bracket
007	End stop	057	Flower handle
008	Indermediate plate	058	Workpiece clamp
009	Roll	059	Circle ring
010	Washer 6mm	060	Cam
011	Thumbscrew M6x25	061	Lever
012	Carriage bolt M6x50	062	Knob-lever
013	Bolt guide	063	Pin
014	Stop tube	064	Circle ring
015	Washer 6 mm	065	Holder rod
016	Wing nut M6	066	Spring
017	End plate, sliding bench	067	Holder
018	Taping screw 3.5x13	068	Countersunk head srew M6x16
019	Scale mount	069	Pulling rod
020	Allen bolt M6x16	070	End cap, sliding rail
021	Lock handle M8	071	Sliding rail
022	Swing bolt	072	Hex nut M8
023	Flat Washer 8 mm	073	Rubber bushing
024	Wave washer 8mm	074	Allen screw M8x20
025	Hex nut M8	075	Flat washer 8 mm
026	Stop rail	076	Rail
027	Guide rail	077	Allen screw M6x20
028	End cap	078	Carriage bolt M8X30
029	Taping screw 4x13	079	Bolt guide
030	Sliding bench	080	Flat washer 8 mm
031	Indermediate plate	081	Wing nut M8
032	Indermediate plate	082	Guide carriage
033	Sunk head screw M6x18	083	Allen screw M8x20
034	Roller seat	084	Mounting bracket
035	Hex nut M6	085	Carriage bolt M8x50
036	Ball bearing	086	Cap nut M8
037	Circle ring	087	Support leg
038	Serrated washer 6mm	088	Allen bolt M8x30
039	Hexagon head screw M6x20	089	Disc insert
040	Ball knob	090	Fine adjusting disc
041	Spring		
042	Flat washer 8mm		
043	Shaft		
044	Hex nut M8		
045	Flat washer 8mm		
046	Flat washer 8mm		
047	Self-locking nut M8		
048	Hexagon head screw		
049	Flat washer 8mm		

